

C.D.A. SPRAYER FOR HERBICIDES

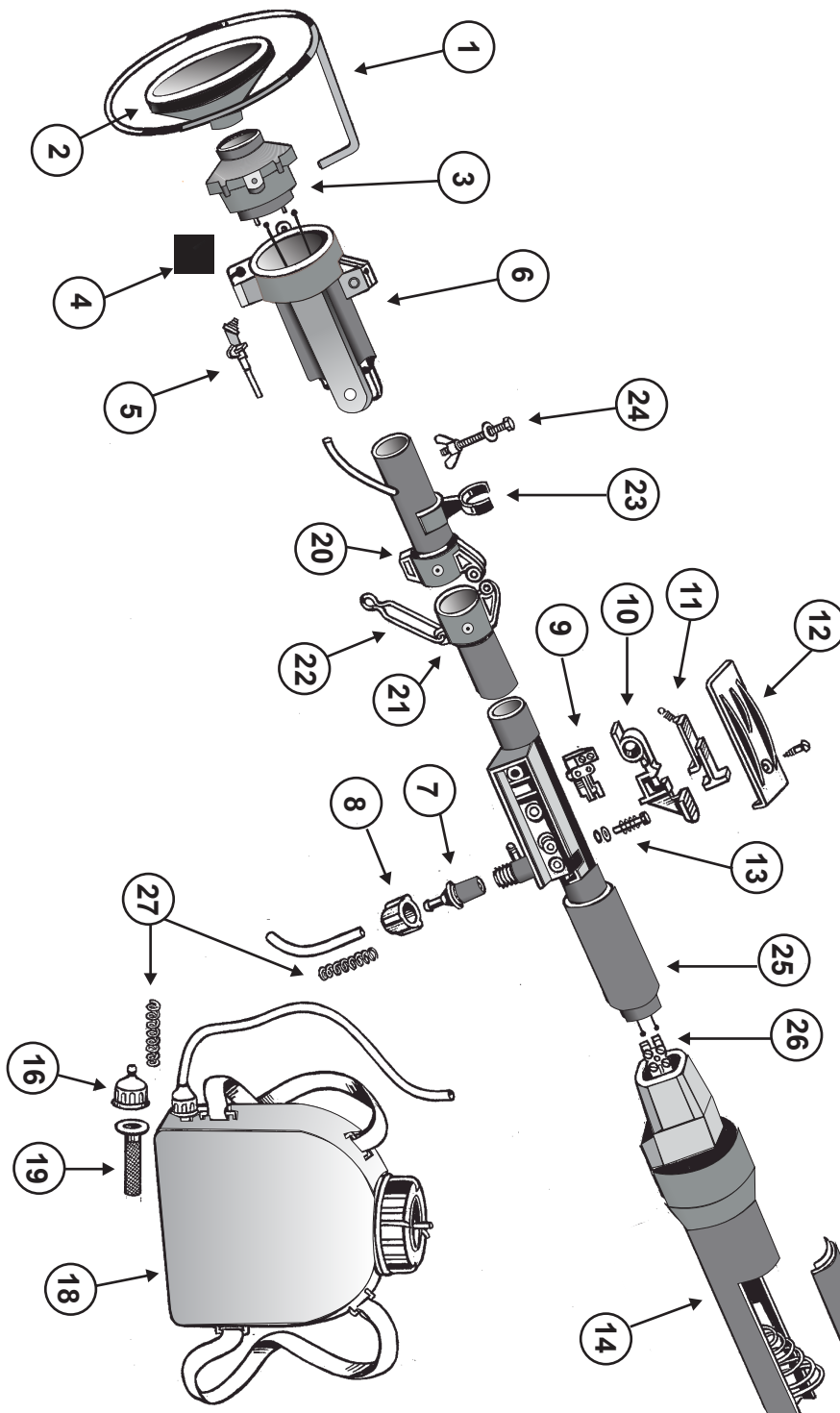
MICRO PLEX

Patented



SPARE PARTS LIST

PART NO.	DESCRIPTION
1	Disk shield
2	Spinning disk
3	Spray head
4	Nozzle (Red - Green - Blue)
5	Nozzle support
6	Micro motor housing
7	Valve
8	Nut of valve
9	Electrical ON/OFF switch
10	Lever - Button
11	Safety device for the lever
12	Cover
13	Piston valve open
14	Battery box (complete)
15	Cover of battery box
16	Connector
17	Feed tube
18	Tank (10 litres)
19	Strainer
20	Higher hinge
21	Lower hinge
22	Hinge clip
23	Folding support
24	Screw
25	Aluminium tube with handle injected
26	Connection
27	Bracket Spring
	Cover of Tank



To remove the cover,
press the button and push up.